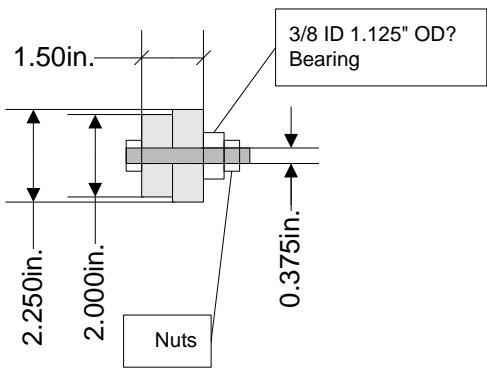
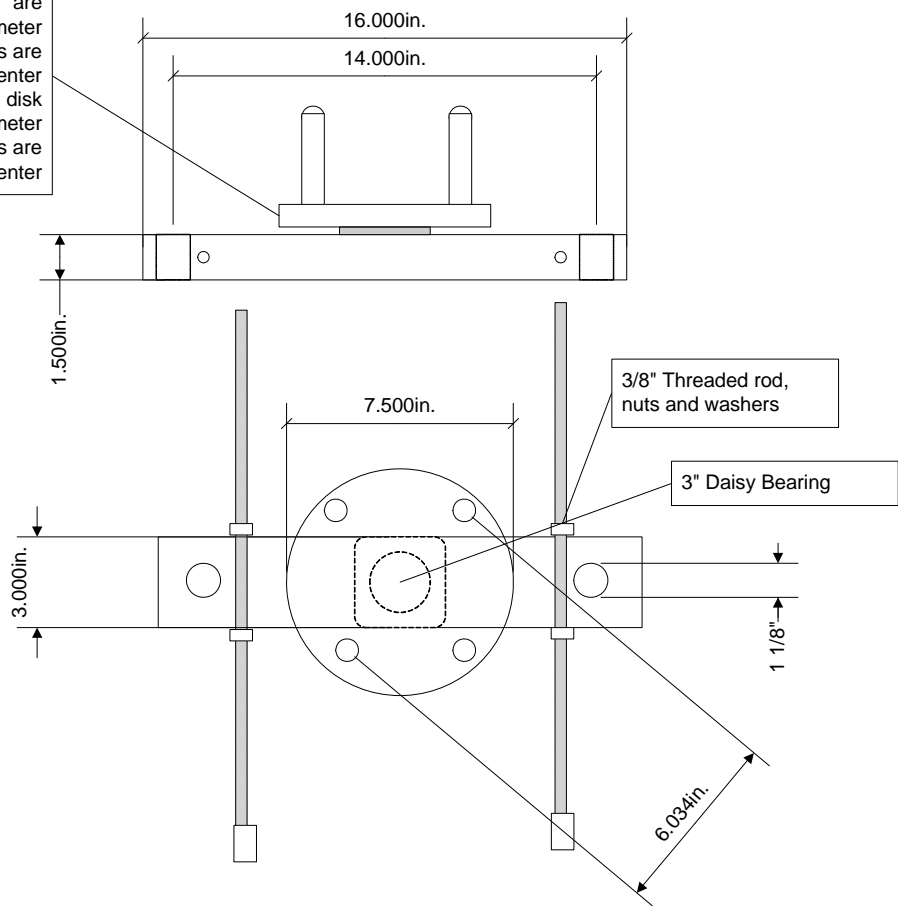


Eric's Shell Press and Roller

Here is a picture in action with a 3 break Maltese shell. The press itself is just $\frac{3}{4}$ black pipe that you can get at any hardware store cut to order. These are 6 feet long. On the ends are orange clamps that you can buy that are designed to work with black pipe. You can get these clamps and most hardware stores or at woodworker supply places. They are about \$10 a set. The wooden contraption on each end is basically a board with a 3 inch daisy bearing (lazy susan bearing) and wood plate with dowels in it. I have different plates for each size shell. The length of the dowels is important because you need the room to get the shuttle (viewable at bottom of picture) in there to do the final stringing. The press is held up off the table with $\frac{3}{8}$ threaded rod and some nuts. I hot melted some upholstery feet at the bottom.



Plate for 8" Shells
 One for 6" are
 5.5" in diameter
 and dowels are
 4.5" on center
 For a 7" the disk
 is 6.25" diameter
 and Dowels are
 5.25 on Center



The roller press is really just 2" electrical conduit with bearings on the end. This diagram shows what the four shells sizes I make would look like. The roller works well for shells 6" to

